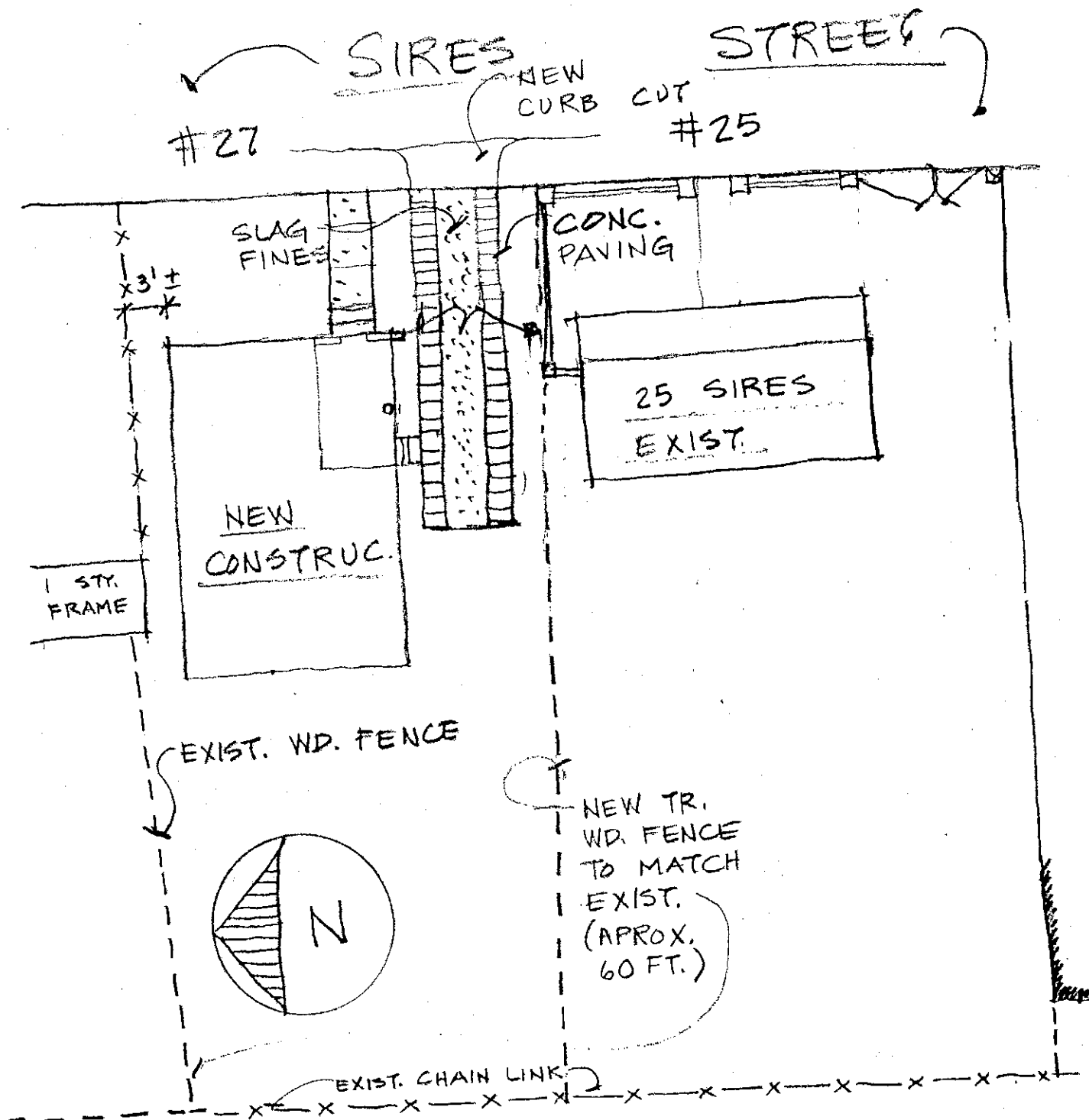


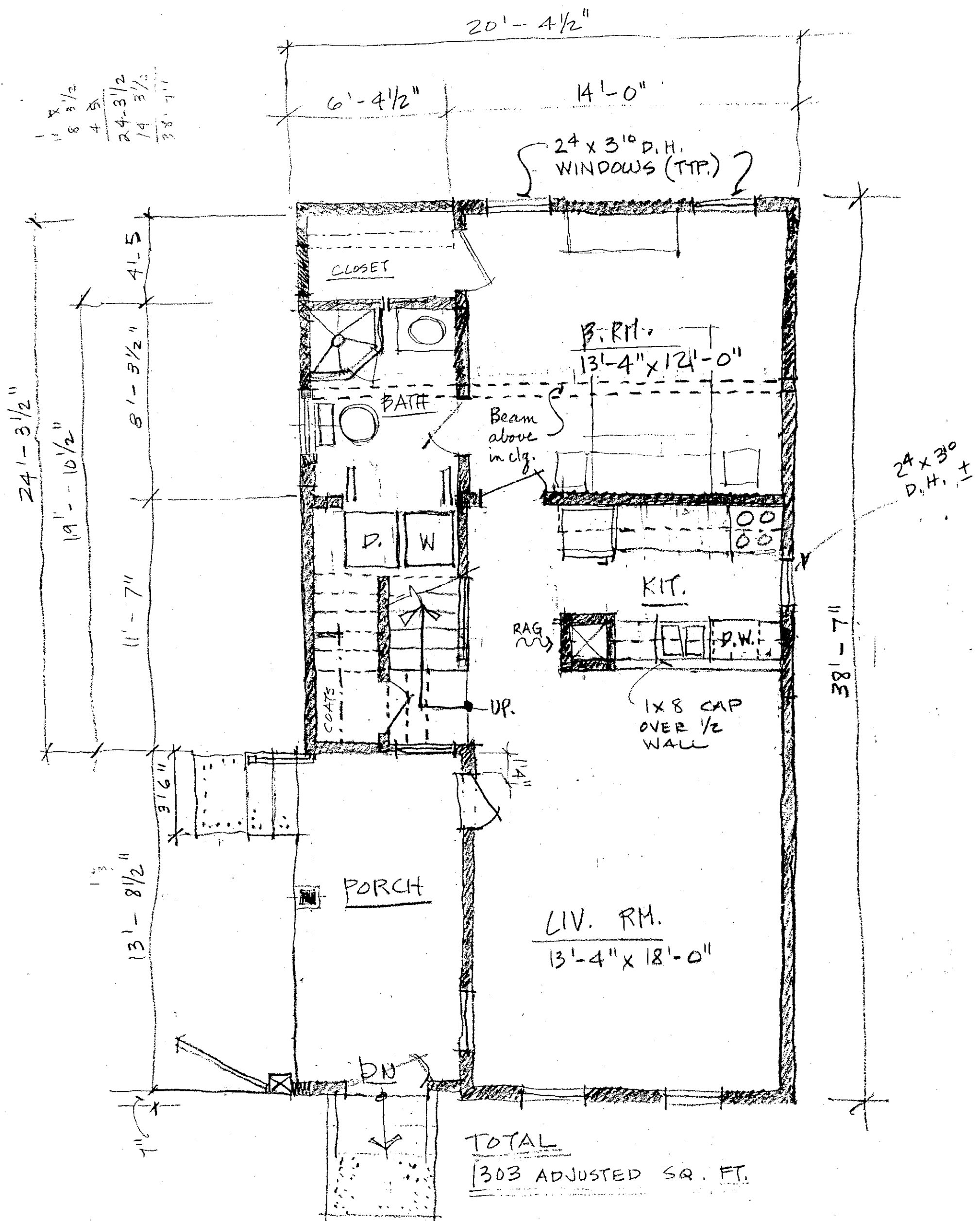
Construction of Infill House
27 Sires Street
Charleston, SC

for

Historic Charleston Foundation, Inc.



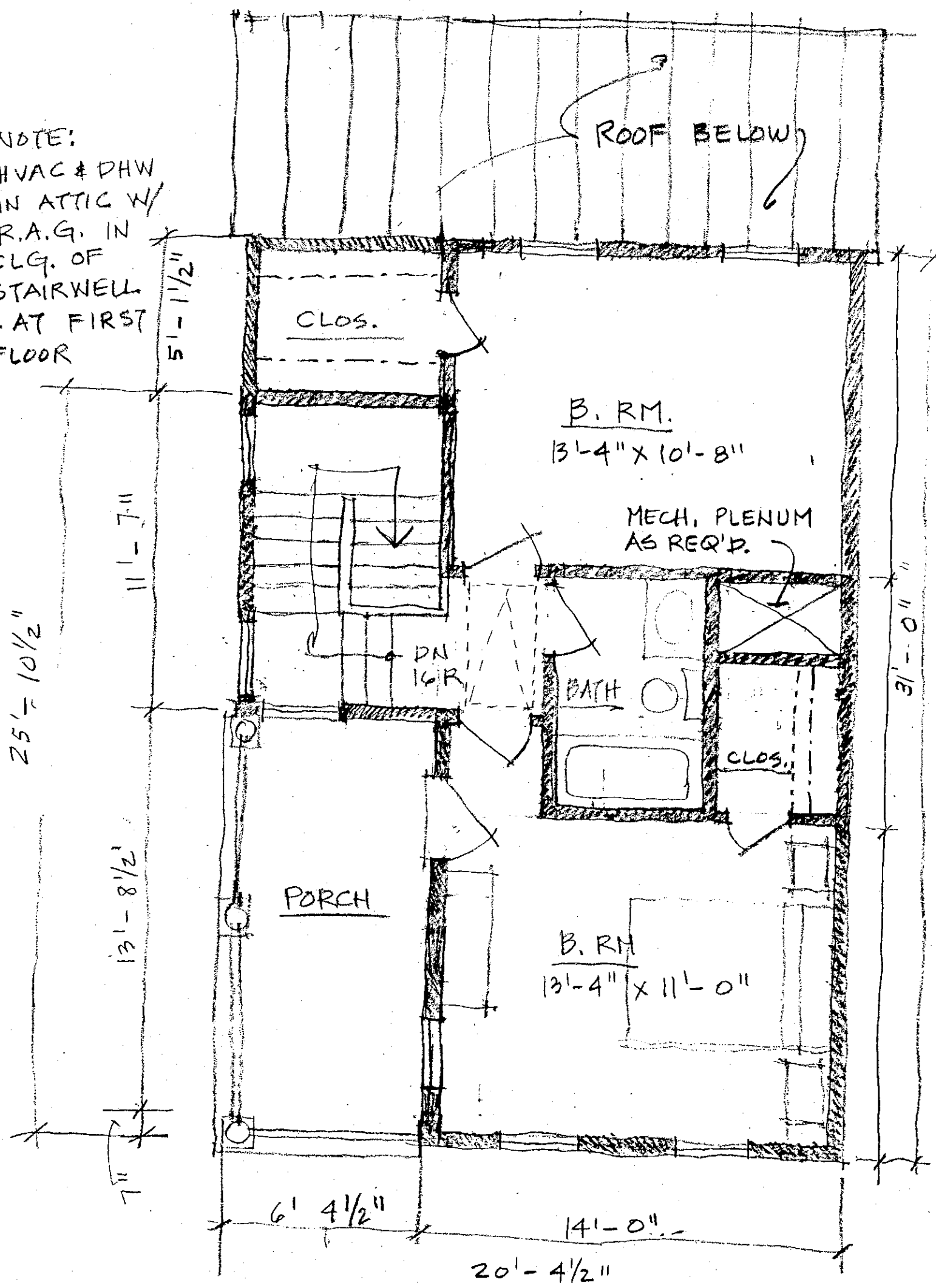
$11 \times 8 \frac{1}{2}$
 $4 \frac{5}{8}$
 $24-3 \frac{1}{2}$
 $14 \frac{3}{4}$
 $38 \frac{1}{4}$



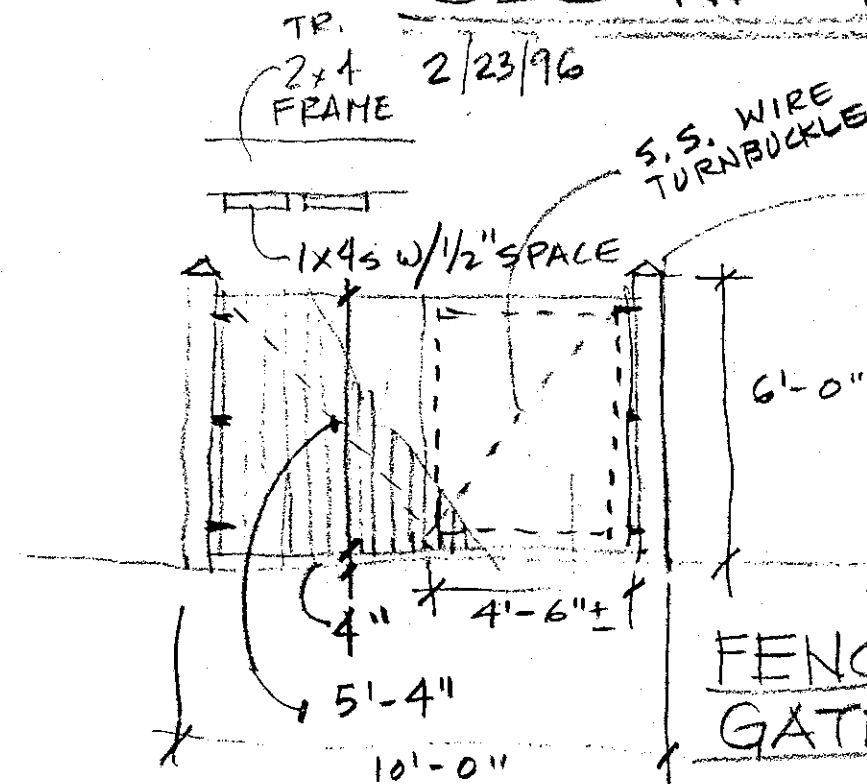
9/6/95

FIRST FLOOR
 9/6/95

NOTE:
 HVAC & DHW
 IN ATTIC W/
 R.A.G. IN
 CLG. OF
 STAIRWELL
 & AT FIRST
 FLOOR



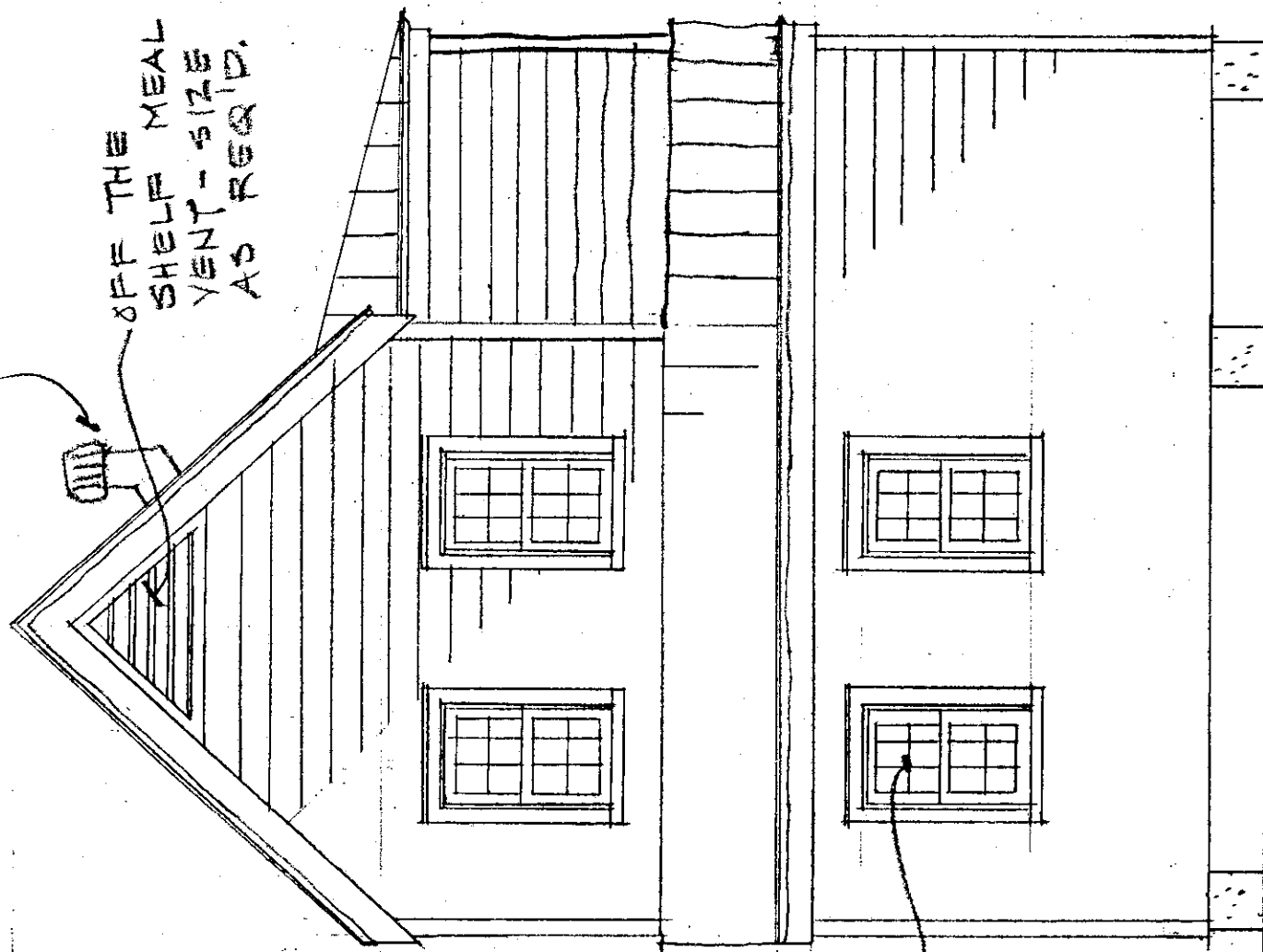
SECOND FLOOR



NOTE: PROVIDE
 GALV. HASP
 ON INTERIOR
 SIDE

GALV. WIND POWERED
TURBINE

OFF THE
SHELF MEAL
VENT - SIZE
AS REQ'D.



SECOND
FLOOR

24 X 310
D.H. WINDOWS
(TYP.) W/ TR.
WD. SILL

FIRST
FLOOR

WEST ELEV.

1/4" = 1'-0"

9/15/95

2/9/96

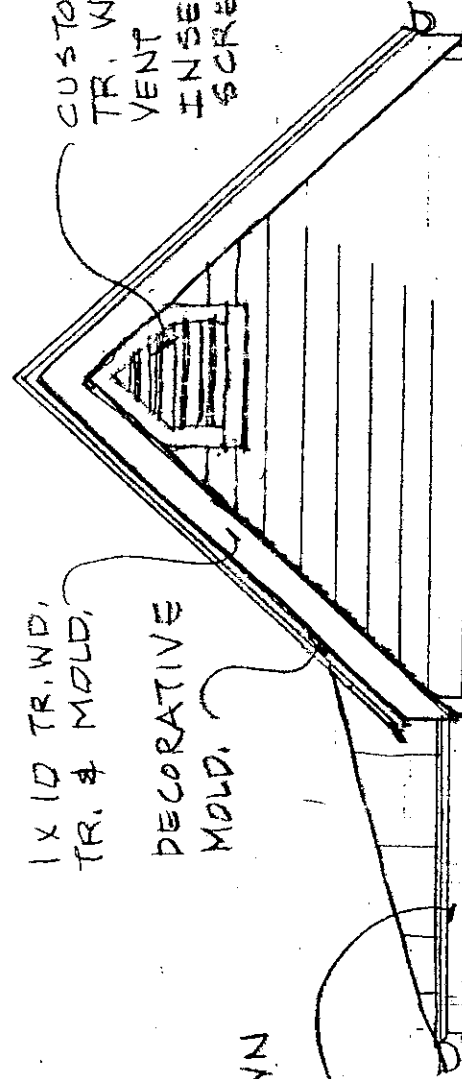
CUSTOM
TR. WD.
VENT W/
INSECT
SCREEN

TR. WD.
1 X 4
WD.
TRIM.
(TYP.)

SILL
CUT
FR. TR.
3 X (TYP.)

1 X TR.
WD.
DRIP
CAP (TYP.)

VENTS
BUILT
W/ CONG.
BRICK W/
ALUM.
SCREEN
BACK-UP



1 X 10 TR. WD.
TR. & MOLD.

DECORATIVE
MOLD.

GUTTER
NOT SHOWN
FOR
CLARITY

4 X 6 TR.
WD. COL.

TR. WD. 5/4
SQ. PICKETS

TR. 1 X
WD. TRIM

TR. WD.
DRIP CAP

1 X 4 TR. WD.
TRIM
(TYP.)

MAIL SLOT
IN WOOD

TR. WD.
1 X 4 W/2
BEADS

STUCCO
OVER
CMU

EAST ELEV.

1/4" = 1'-0"

1/25/96

GALV. WIND
POWERED TURBINE



GALV.
GUTTER
&
DRAINSPOUT

GALV.
GUTTER
&
DRAINSPOUT

GALV.
GUTTER
&
DRAINSPOUT

8'-0"
ch. ht.

7'-9-6"

2'-5-6"

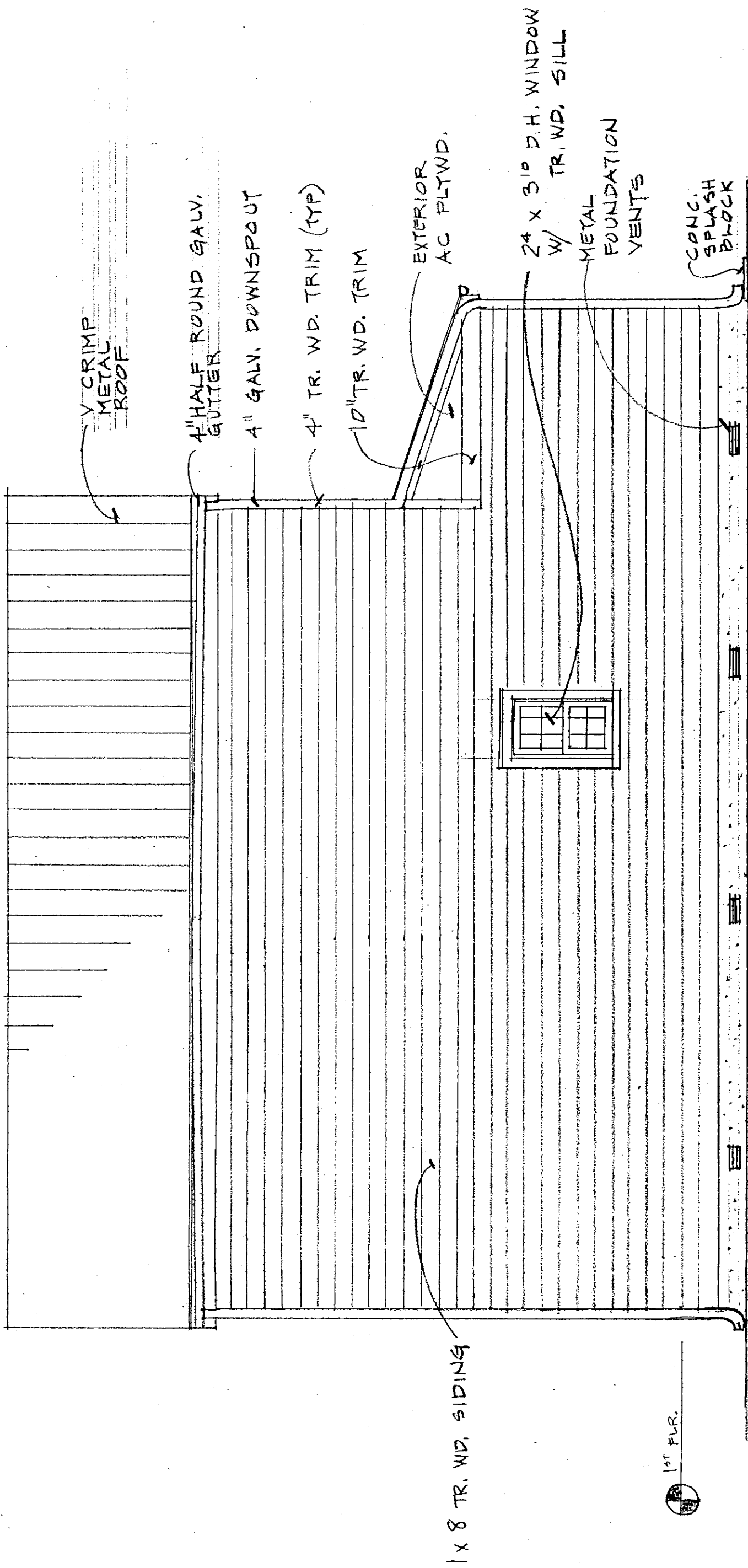
2ND

1ST

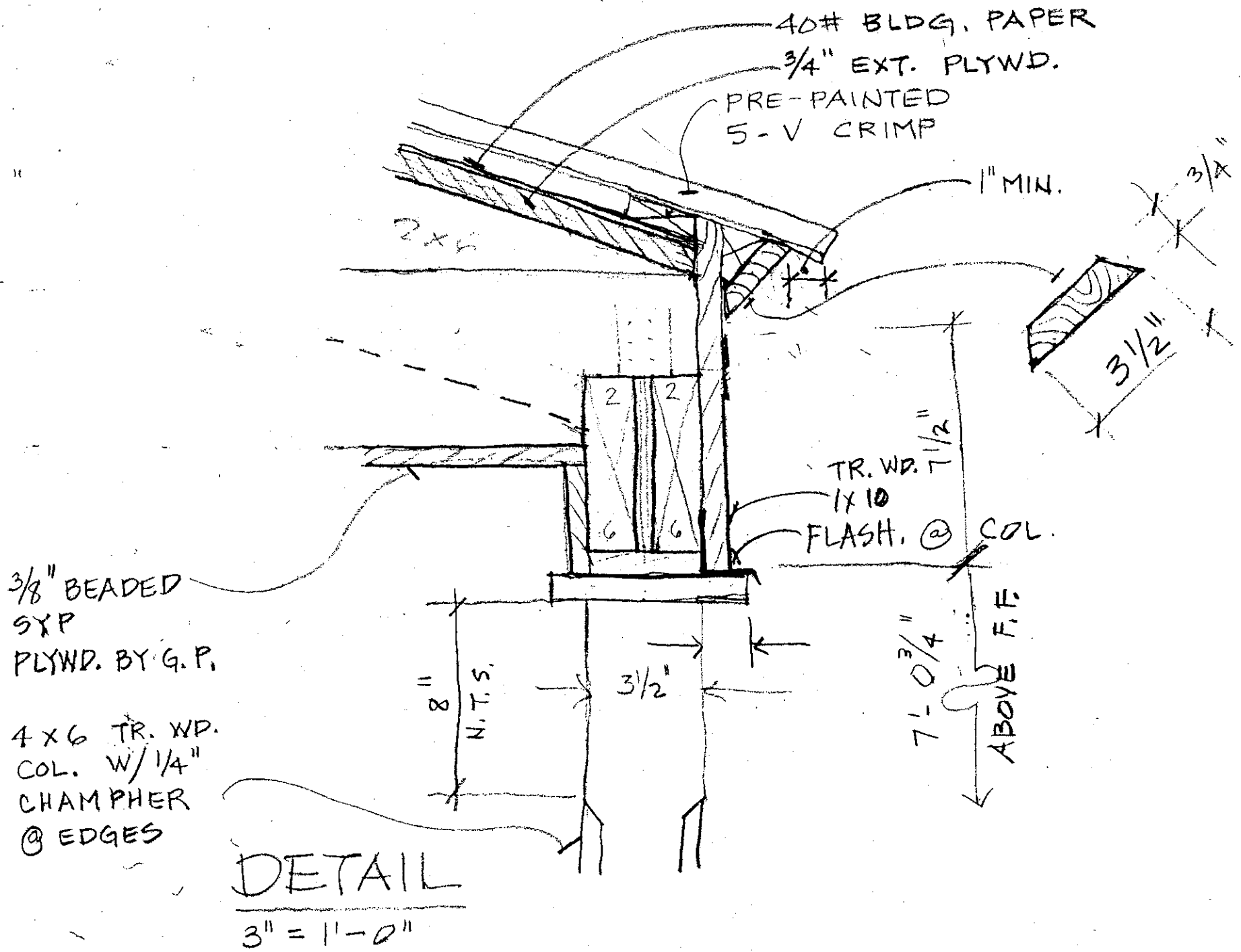
SIDEWALK

SOUTH ELEV. 9/14/95
1/4" = 1'-0"

2/9/96

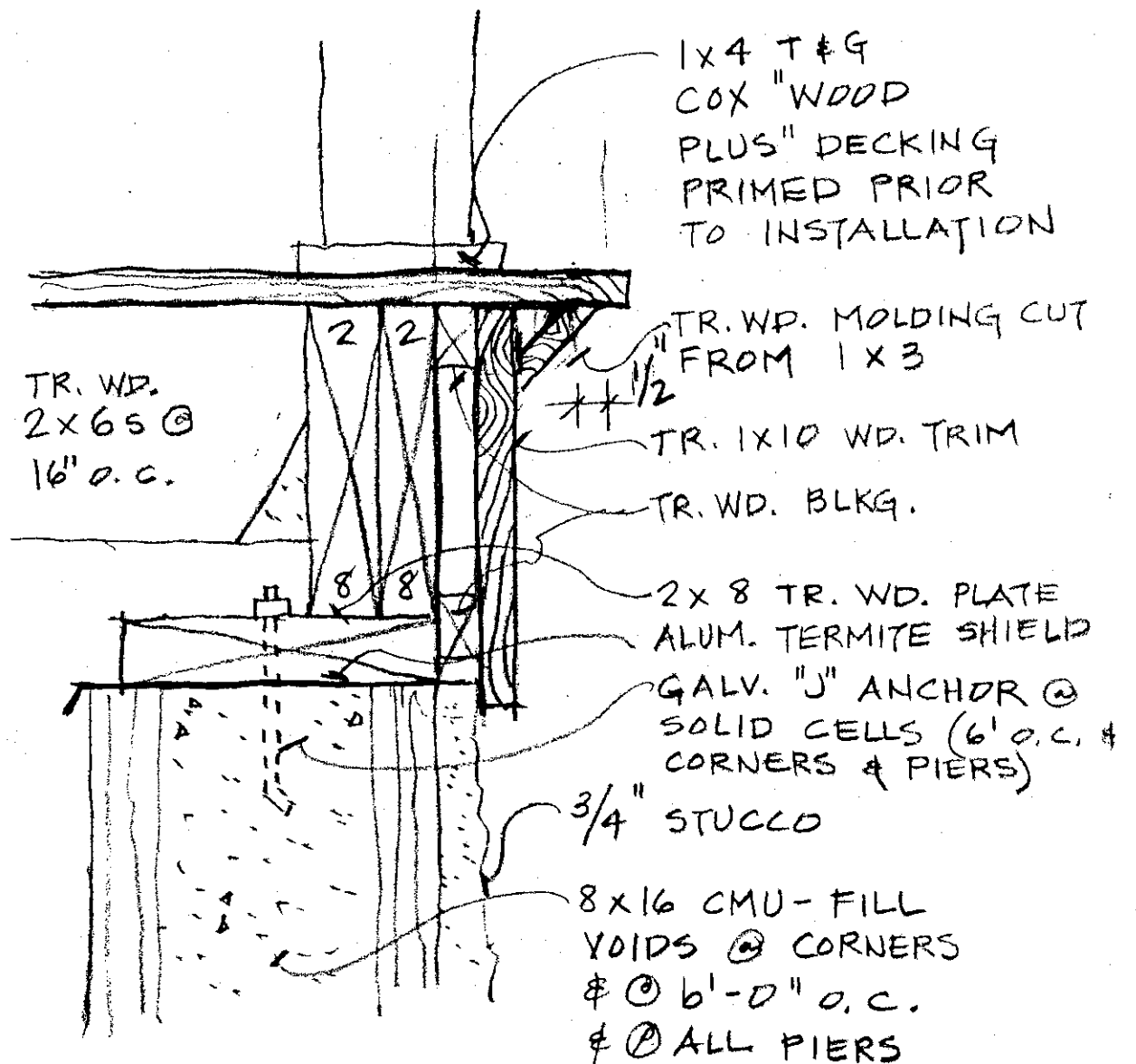


NORTH ELEV. 9/15/95
 1/4" = 1'-0"



DETAIL

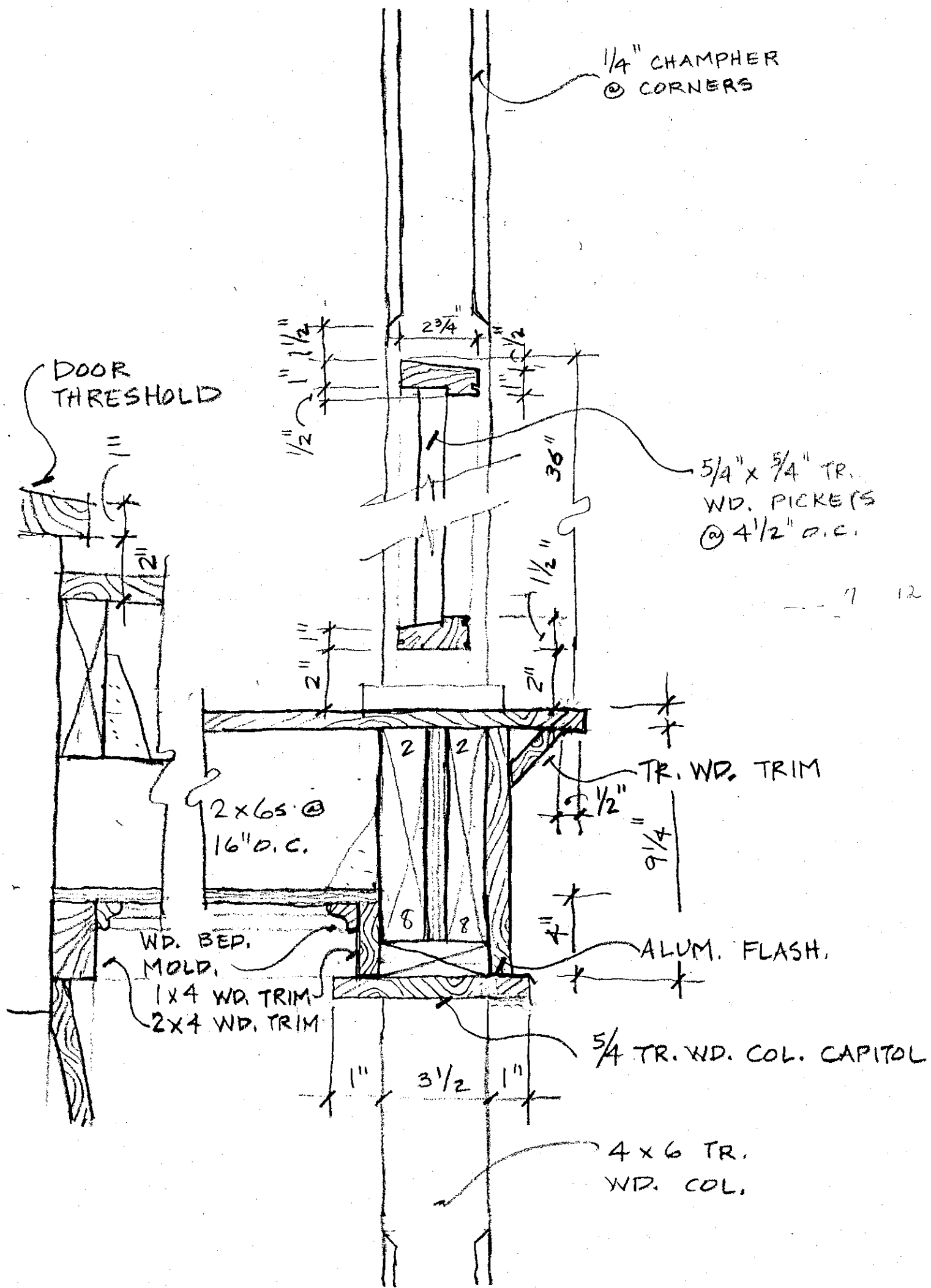
3" = 1'-0"



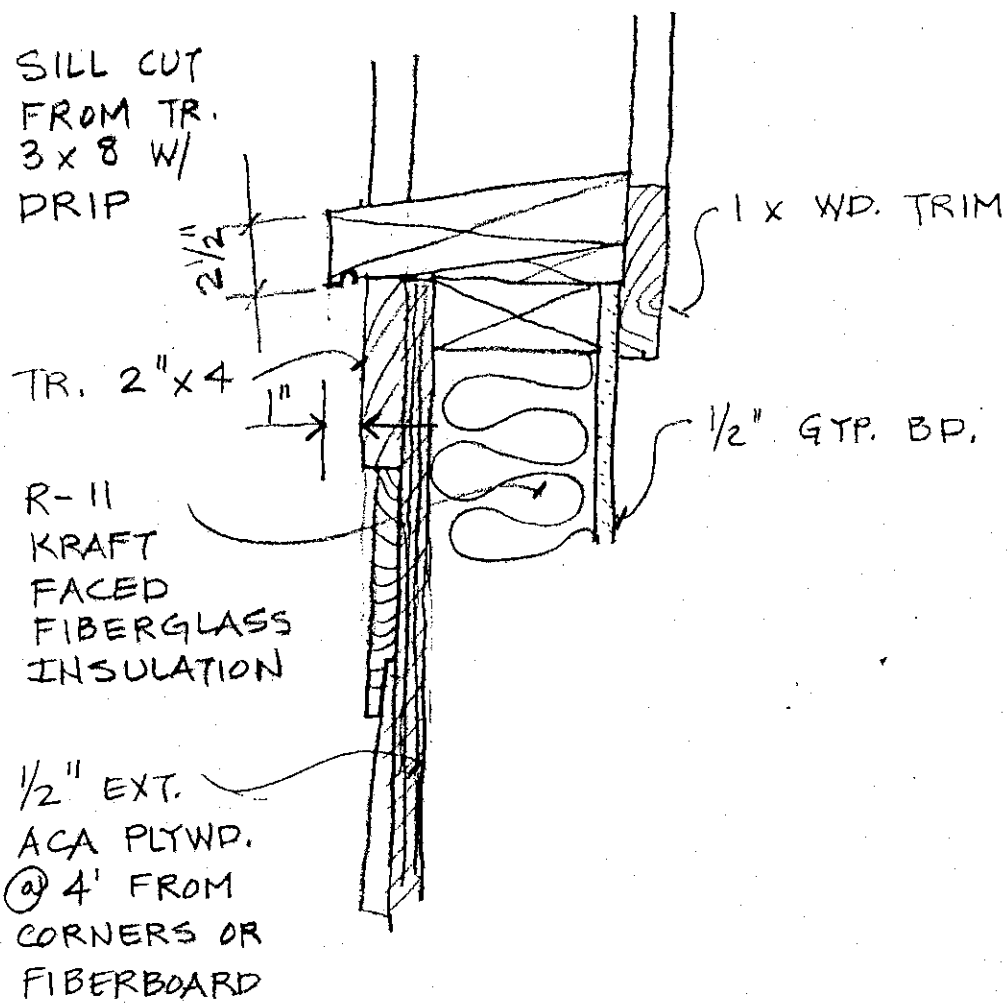
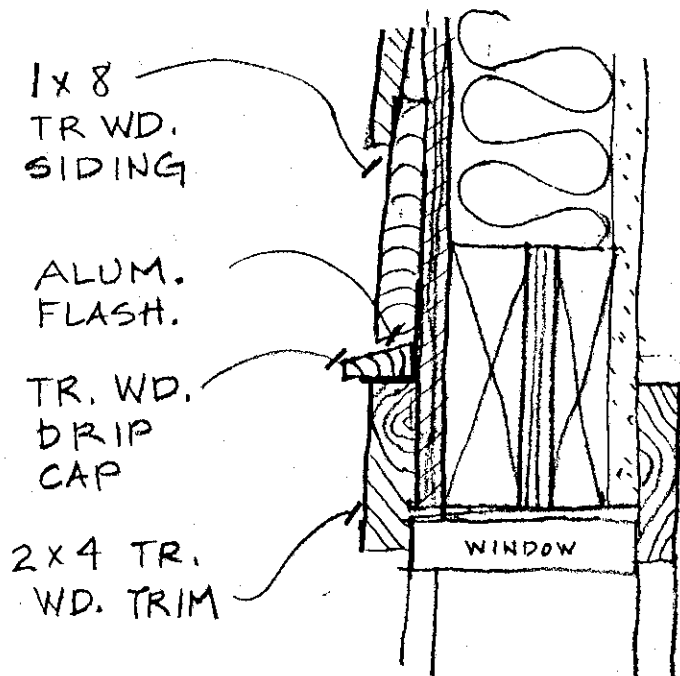
PORCH DETAIL

3" = 1'-0"

9/23/95



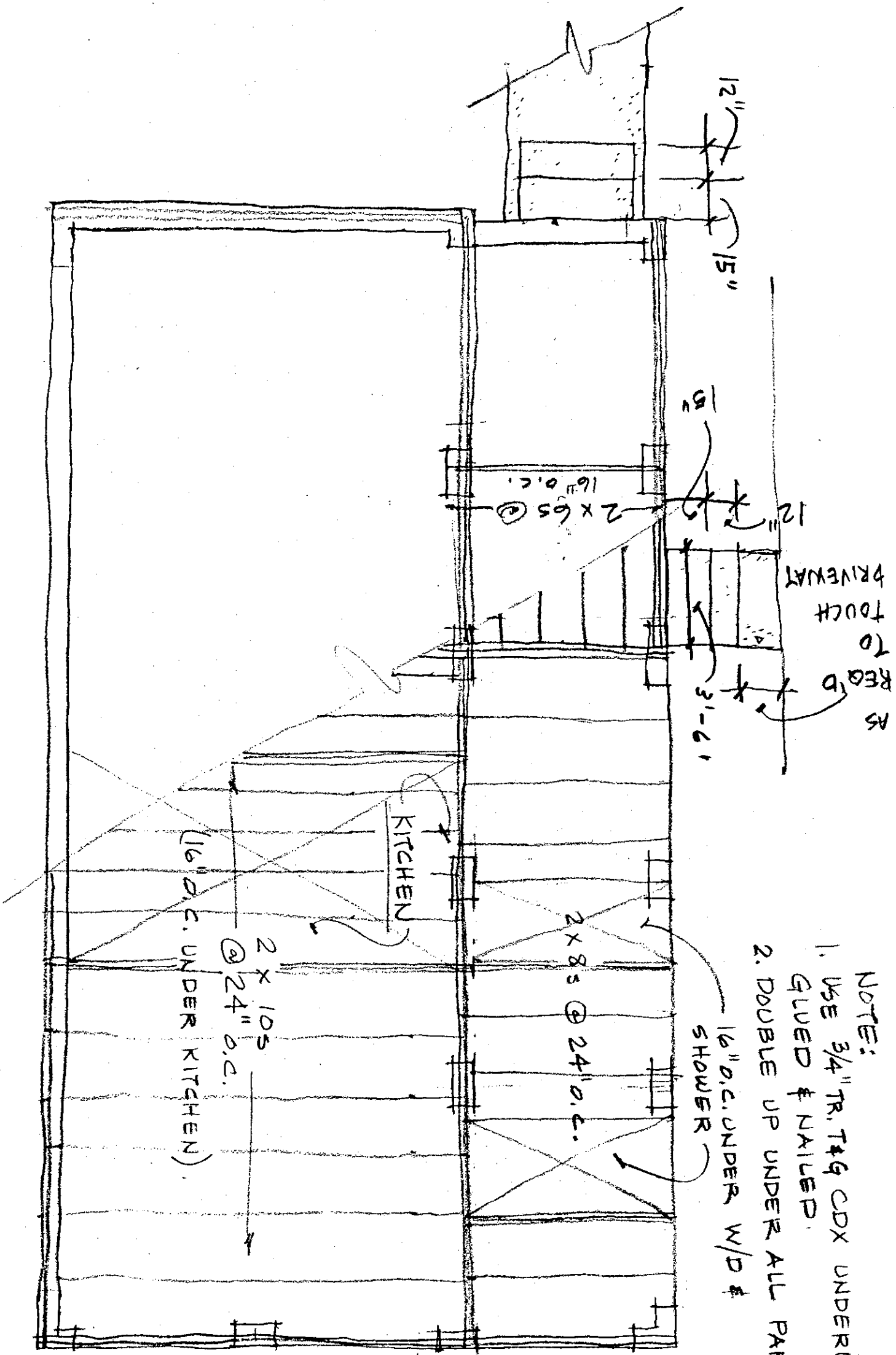
PIAZZA DETAIL
 3" = 1'-0" 9/21/95



WINDOW DETAIL

3" = 1'-0"

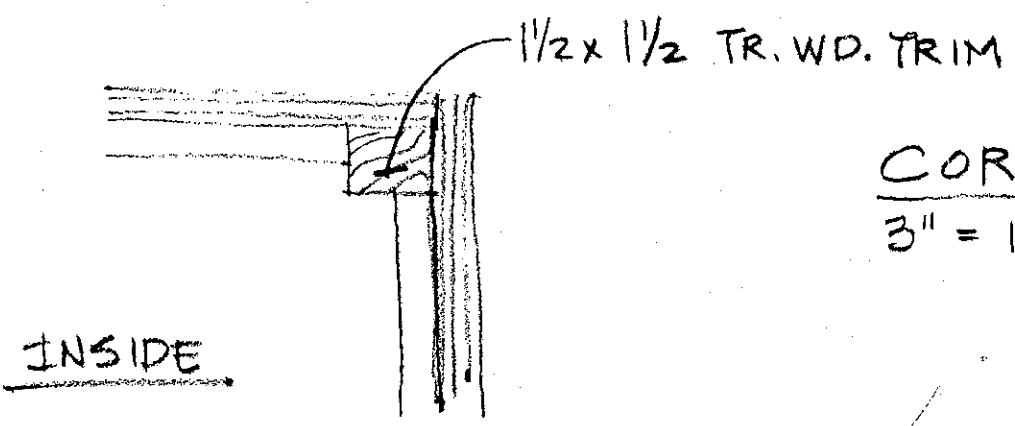
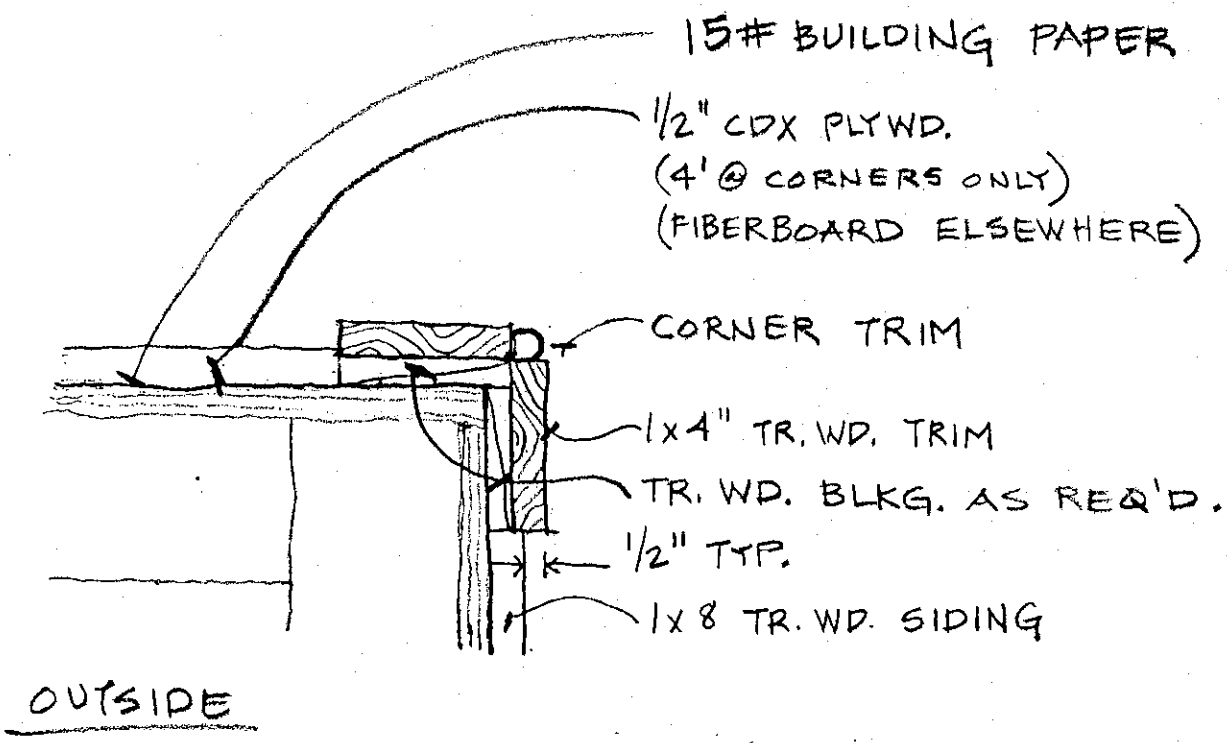
9/21/95



- NOTE:
1. USE 3/4" TR. T&G CDX UNDERLAYMENT GLUED & NAILED.
 2. DOUBLE UP UNDER ALL PARTITIONS

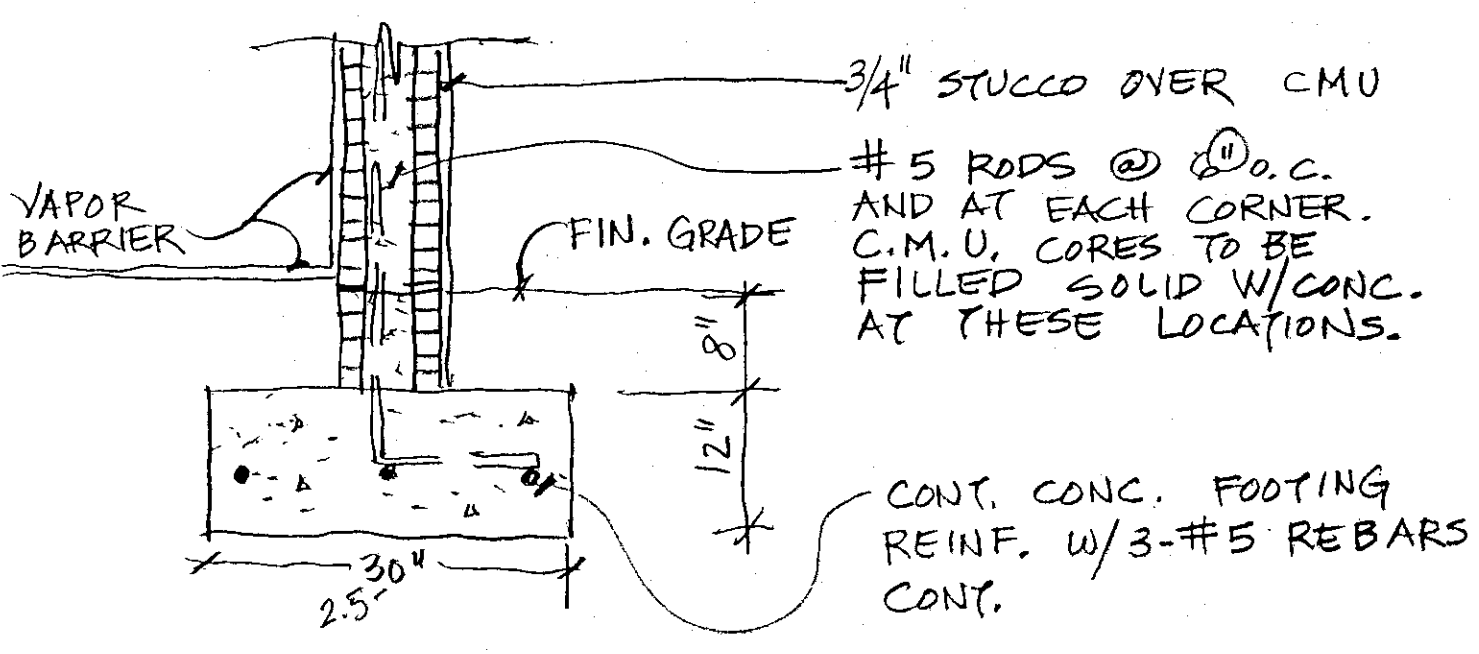
FOUNDATION PLAN

1/4" = 1'-0"
9/21/95



CORNER DETAILS
3" = 1'-0"

2/8/96



FOOTING DETAIL
3/4" = 1'-0"