




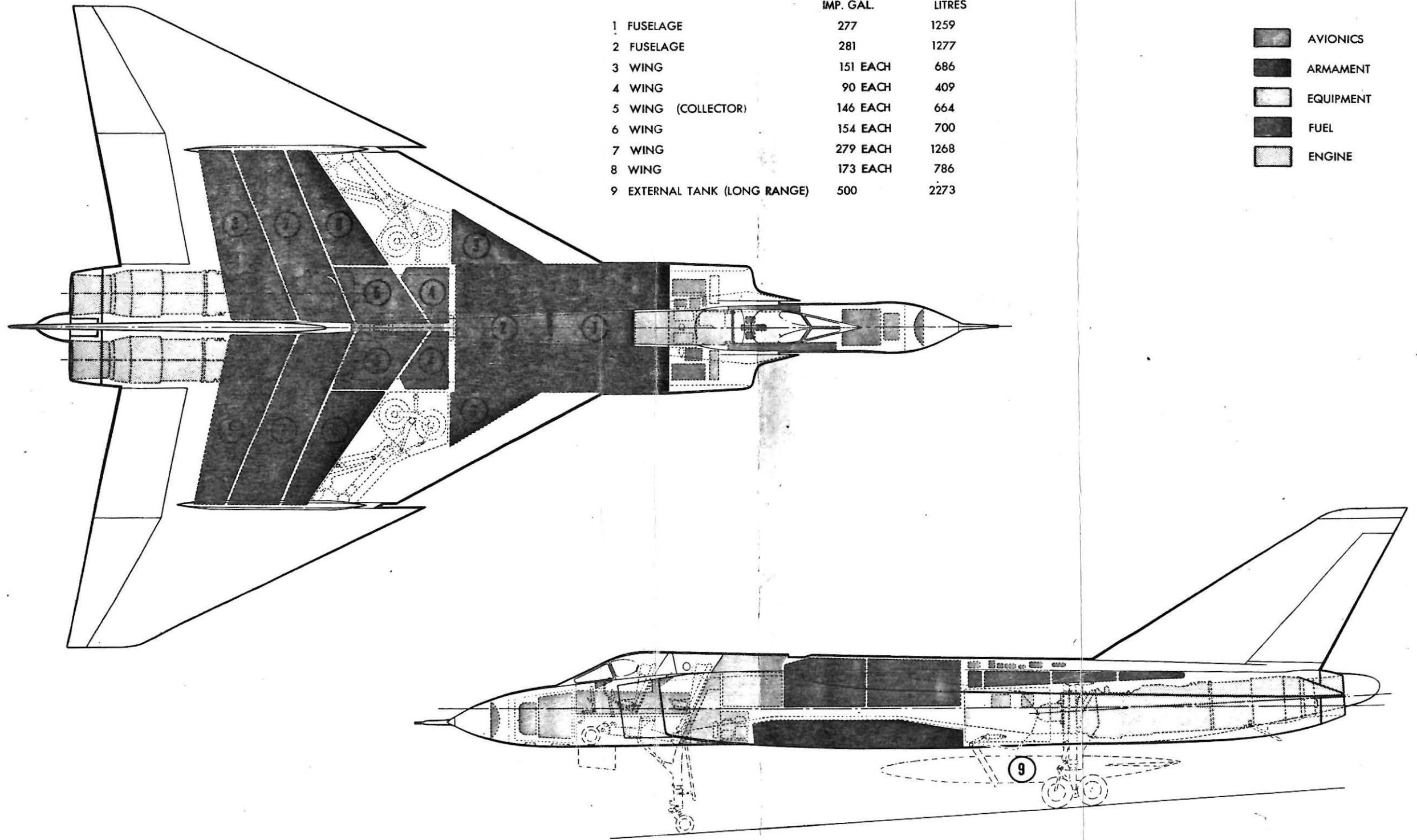
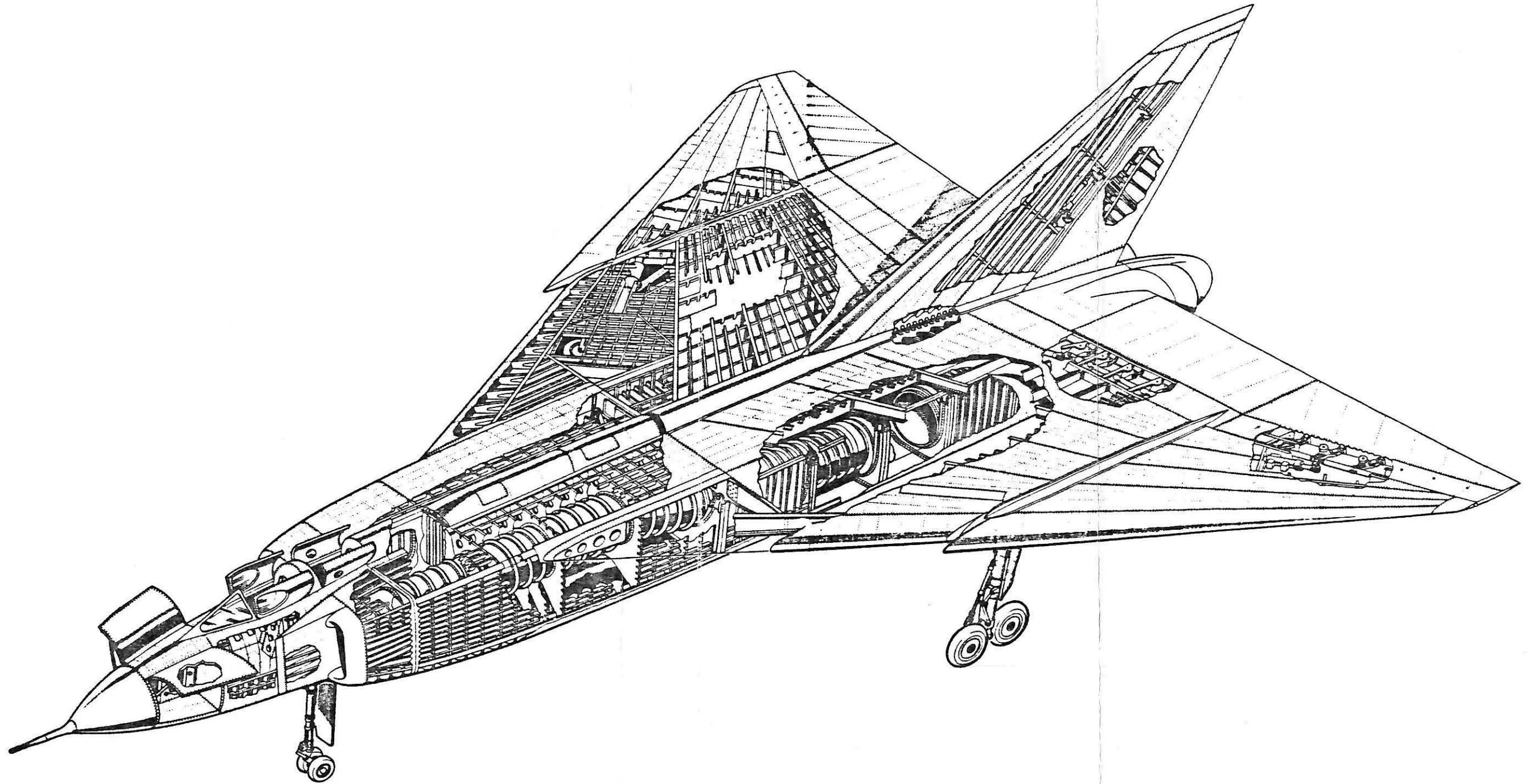


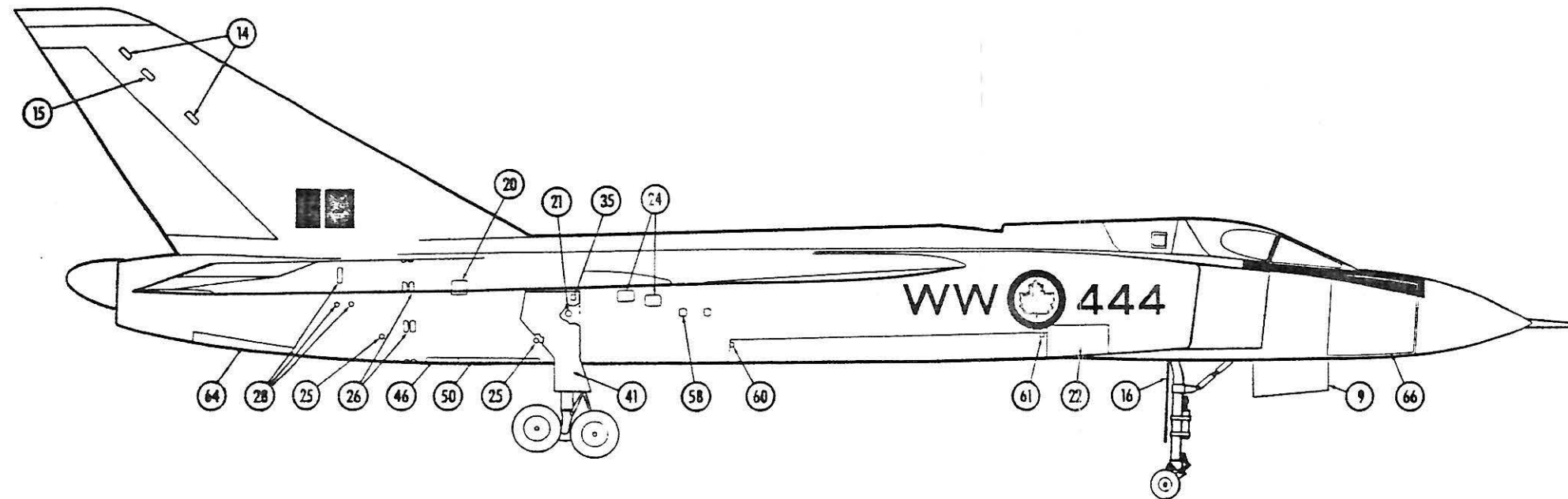
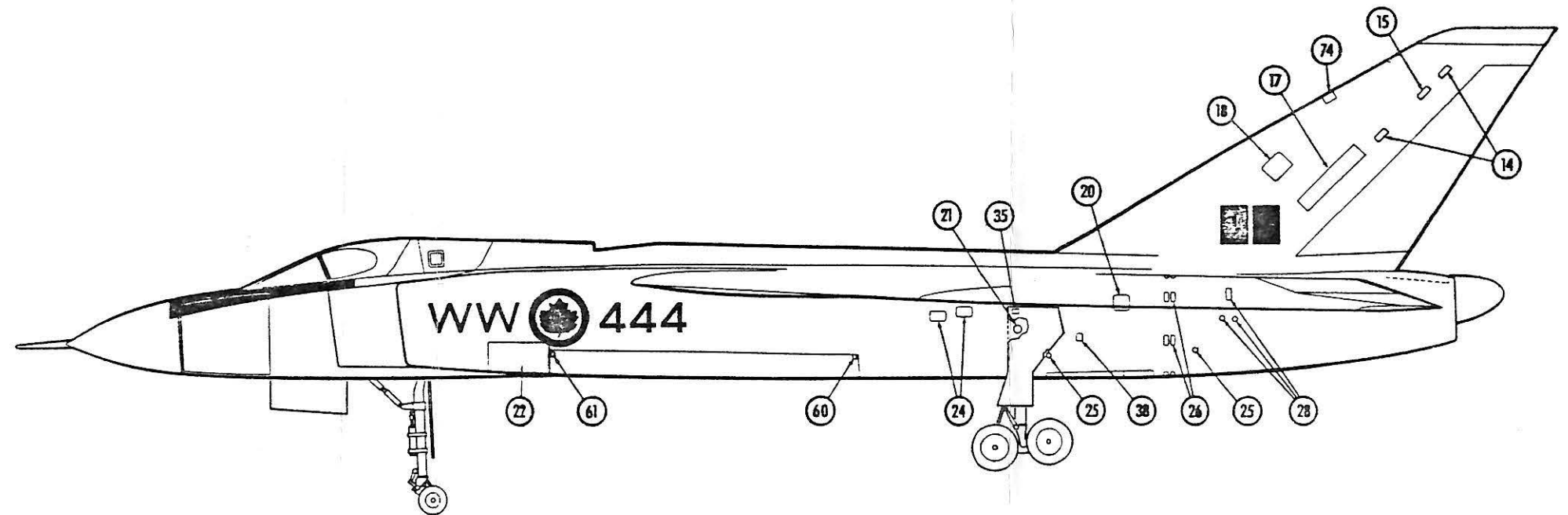
TANK	LOCATION	CAPACITY	
		IMP. GAL.	LITRES
1	FUSELAGE	277	1259
2	FUSELAGE	281	1277
3	WING	151 EACH	686
4	WING	90 EACH	409
5	WING (COLLECTOR)	146 EACH	664
6	WING	154 EACH	700
7	WING	279 EACH	1268
8	WING	173 EACH	786
9	EXTERNAL TANK (LONG RANGE)	500	2273

-  AVIONICS
-  ARMAMENT
-  EQUIPMENT
-  FUEL
-  ENGINE





- 14 ACCESS PANEL - WAVE GUIDE ANTENNA
- 15 ACCESS PANEL - ATTACHMENT OF TRAIL EDGE TO FIN
- 17 ACCESS PANEL - RUDDER JACK
- 18 ACCESS PANEL - HINGE MOMENT LIMITER
- 20 ACCESS PANEL - AIR CONDITIONING MANIFOLD
- 21 ACCESS PANEL - OUTBOARD ENGINE MOUNT
- 22 SIDE ACCESS DOOR - ELECTRONIC BAY
- 24 ACCESS AFT DUCT ATTACHMENT
- 25 HOLE - FIRE EXTINGUISHER
- 26 PRESSURE VENT DOORS
- 28 VENT HOLE - REAR ENGINE MOUNT
- 33 COMPRESS BLEED ACCESS
- 35 OUTBOARD ENGINE MOUNTING ACCESS
- 60 PICK-UP LATCH ACCESS - INSTRUMENT PANEL - AFT
- 61 ACCESS - INSTRUMENT PACK - FORWARD
- 74 WAVE GUIDE JOINT ACCESS PANEL

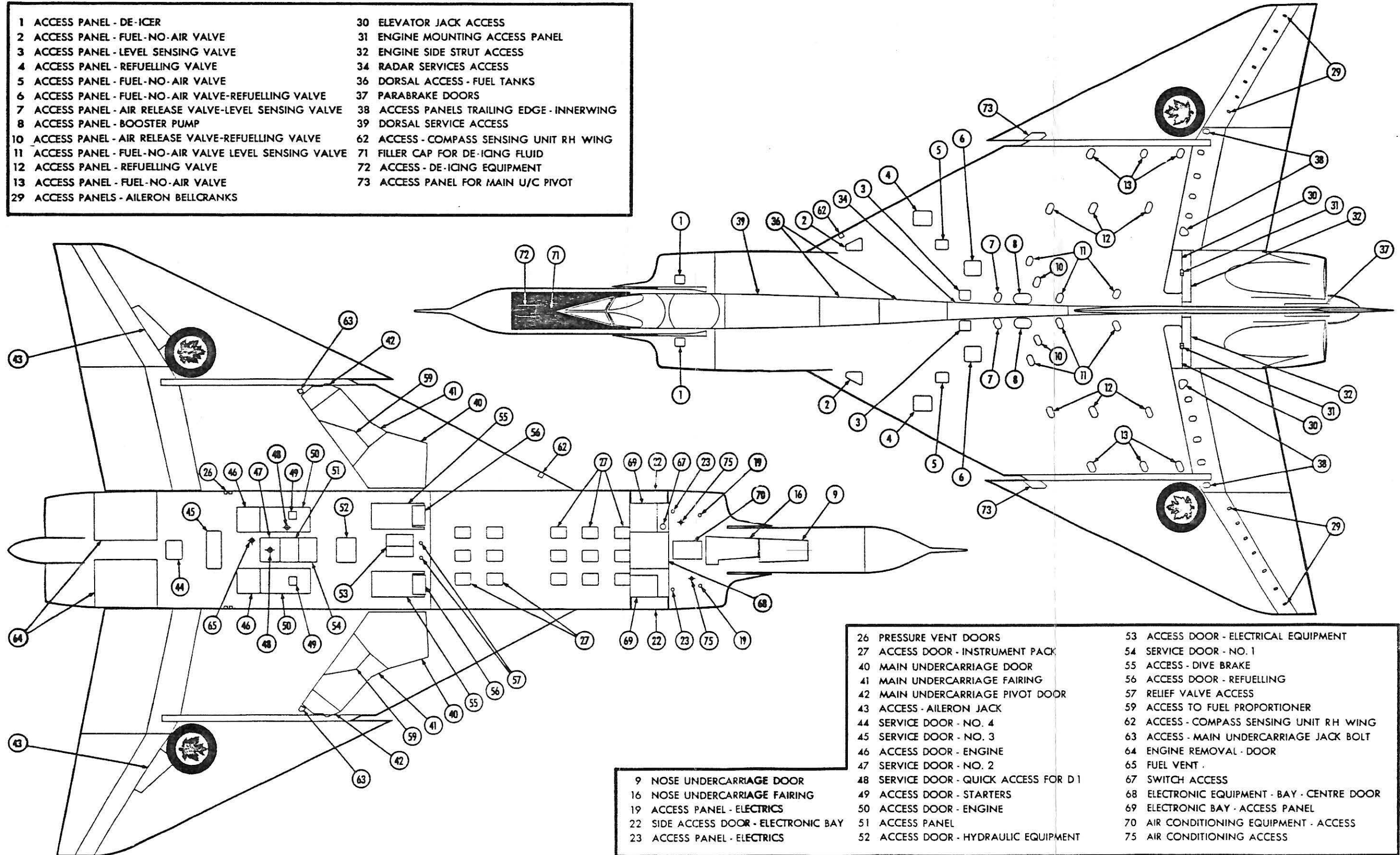


MAIN U/C DOOR OMITTED FOR CLARITY

- 9 NOSE UNDERCARRIAGE DOOR
- 14 ACCESS PANEL - WAVE GUIDE ANTENNA
- 15 ACCESS PANEL - ATTACHMENT OF TRAIL EDGE TO FIN
- 16 NOSE UNDERCARRIAGE FAIRING
- 20 ACCESS PANEL - AIR CONDITIONING MANIFOLD
- 21 ACCESS PANEL - OUTBOARD ENGINE MOUNT
- 22 SIDE ACCESS DOOR - ELECTRONIC BAY
- 24 ACCESS AFT DUCT ATTACHMENT
- 25 HOLE - FIRE EXTINGUISHER
- 26 PRESSURE VENT DOORS
- 28 VENT HOLE - REAR ENGINE MOUNT
- 35 OUTBOARD ENGINE MOUNTING ACCESS
- 41 MAIN UNDERCARRIAGE FAIRING
- 46 ACCESS DOOR - ENGINE
- 50 ACCESS DOOR - ENGINE
- 58 ACCESS PANEL - HYDRAULICS
- 60 PICK-UP LATCH ACCESS - INSTRUMENT PANEL - AFT
- 61 ACCESS - INSTRUMENT PACK - FORWARD
- 64 ENGINE REMOVAL - DOOR
- 66 RADAR ACCESS DOOR

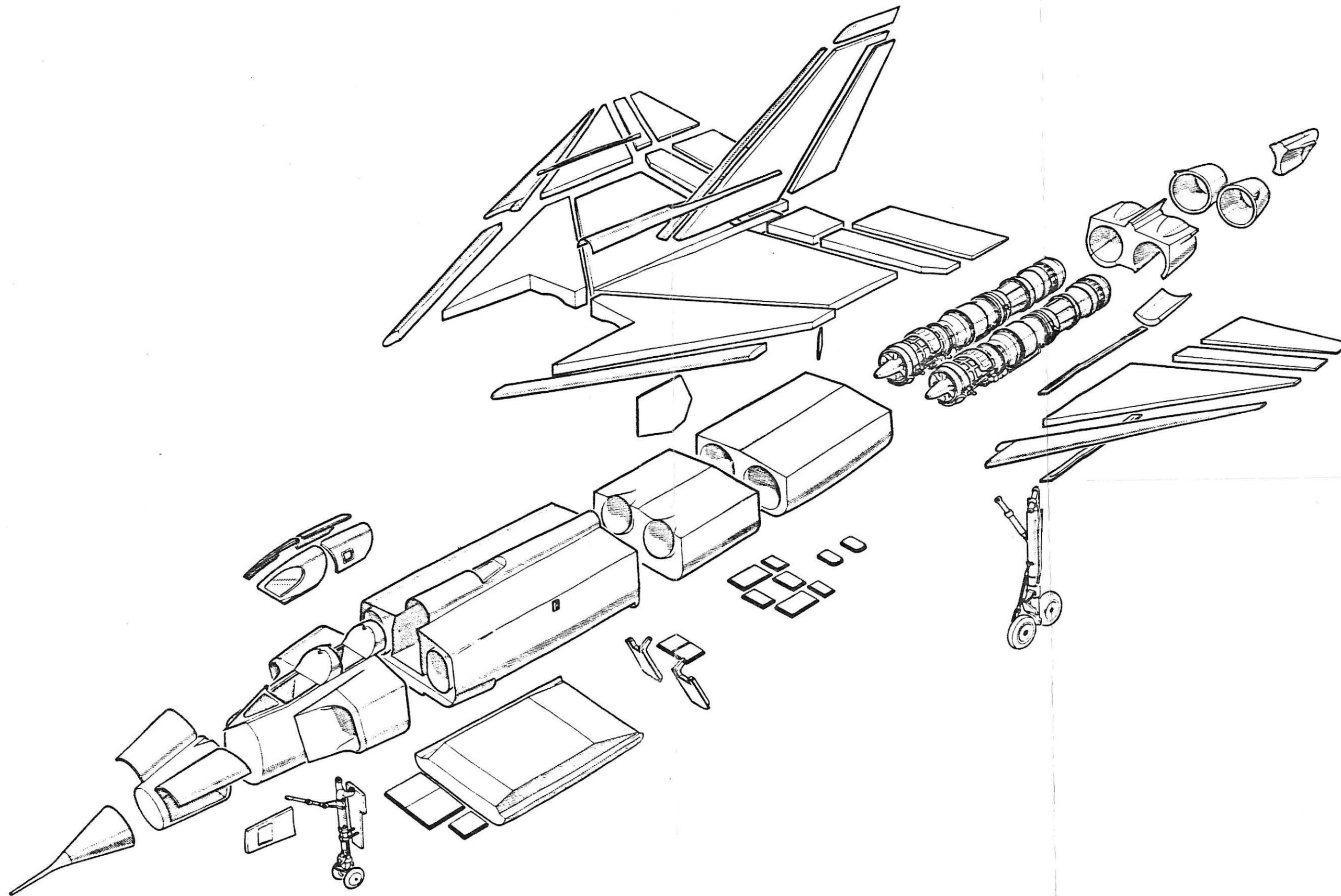


- | | |
|---|--|
| 1 ACCESS PANEL - DE-ICER | 30 ELEVATOR JACK ACCESS |
| 2 ACCESS PANEL - FUEL-NO-AIR VALVE | 31 ENGINE MOUNTING ACCESS PANEL |
| 3 ACCESS PANEL - LEVEL SENSING VALVE | 32 ENGINE SIDE STRUT ACCESS |
| 4 ACCESS PANEL - REFUELLING VALVE | 34 RADAR SERVICES ACCESS |
| 5 ACCESS PANEL - FUEL-NO-AIR VALVE | 36 DORSAL ACCESS - FUEL TANKS |
| 6 ACCESS PANEL - FUEL-NO-AIR VALVE-REFUELLING VALVE | 37 PARABRAKE DOORS |
| 7 ACCESS PANEL - AIR RELEASE VALVE-LEVEL SENSING VALVE | 38 ACCESS PANELS TRAILING EDGE - INNERWING |
| 8 ACCESS PANEL - BOOSTER PUMP | 39 DORSAL SERVICE ACCESS |
| 10 ACCESS PANEL - AIR RELEASE VALVE-REFUELLING VALVE | 62 ACCESS - COMPASS SENSING UNIT RH WING |
| 11 ACCESS PANEL - FUEL-NO-AIR VALVE LEVEL SENSING VALVE | 71 FILLER CAP FOR DE-ICING FLUID |
| 12 ACCESS PANEL - REFUELLING VALVE | 72 ACCESS - DE-ICING EQUIPMENT |
| 13 ACCESS PANEL - FUEL-NO-AIR VALVE | 73 ACCESS PANEL FOR MAIN U/C PIVOT |
| 29 ACCESS PANELS - AILERON BELLCRANKS | |



- | |
|--------------------------------------|
| 9 NOSE UNDERCARRIAGE DOOR |
| 16 NOSE UNDERCARRIAGE FAIRING |
| 19 ACCESS PANEL - ELECTRICS |
| 22 SIDE ACCESS DOOR - ELECTRONIC BAY |
| 23 ACCESS PANEL - ELECTRICS |

- | | |
|--|---|
| 26 PRESSURE VENT DOORS | 53 ACCESS DOOR - ELECTRICAL EQUIPMENT |
| 27 ACCESS DOOR - INSTRUMENT PACK | 54 SERVICE DOOR - NO. 1 |
| 40 MAIN UNDERCARRIAGE DOOR | 55 ACCESS - DIVE BRAKE |
| 41 MAIN UNDERCARRIAGE FAIRING | 56 ACCESS DOOR - REFUELLING |
| 42 MAIN UNDERCARRIAGE PIVOT DOOR | 57 RELIEF VALVE ACCESS |
| 43 ACCESS - AILERON JACK | 59 ACCESS TO FUEL PROPORTIONER |
| 44 SERVICE DOOR - NO. 4 | 62 ACCESS - COMPASS SENSING UNIT RH WING |
| 45 SERVICE DOOR - NO. 3 | 63 ACCESS - MAIN UNDERCARRIAGE JACK BOLT |
| 46 ACCESS DOOR - ENGINE | 64 ENGINE REMOVAL - DOOR |
| 47 SERVICE DOOR - NO. 2 | 65 FUEL VENT |
| 48 SERVICE DOOR - QUICK ACCESS FOR D 1 | 67 SWITCH ACCESS |
| 49 ACCESS DOOR - STARTERS | 68 ELECTRONIC EQUIPMENT - BAY - CENTRE DOOR |
| 50 ACCESS DOOR - ENGINE | 69 ELECTRONIC BAY - ACCESS PANEL |
| 51 ACCESS PANEL | 70 AIR CONDITIONING EQUIPMENT - ACCESS |
| 52 ACCESS DOOR - HYDRAULIC EQUIPMENT | 75 AIR CONDITIONING ACCESS |



1281-105-1

UNCLASSIFIED

CF-105 AIRCRAFT COMPONENT BREAK DOWN